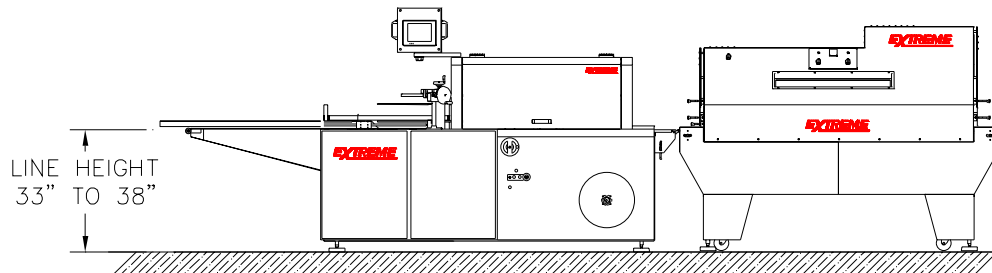
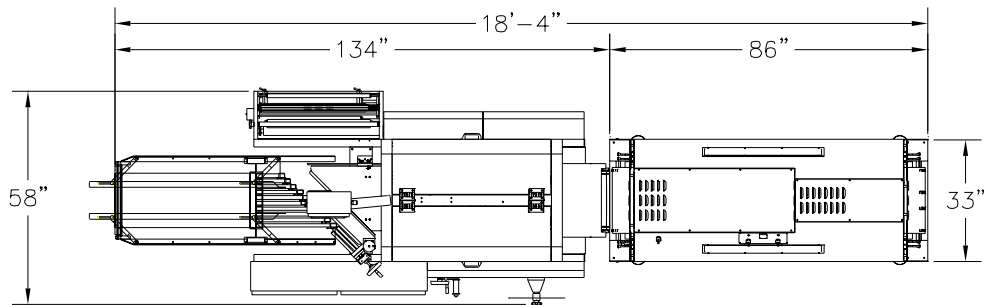


EXTREME



AL18B AND XT18

CONFIDENTIAL:

THIS DRAWING IS THE PROPERTY OF EXTREME PACKAGING
MACHINERY, INC. ANY DUPLICATION OF THIS MATERIAL
UNLESS AUTHORIZED IN WRITING IS SUBJECT TO PROSECUTION

DATE:	10/21/06	SCALE:
DRAWN BY:	RAY UTTARO	APPROVED BY:
DESCRIPTION:	AL18-B WITH XT18	

EXTREME PACKAGING MACHINERY, INC.

22801 AVENIDA EMPRESA
SAN JOSE SANTA MARGARITA, CA 95068
P.O. (949)868-7221, FAX (949)868-7112