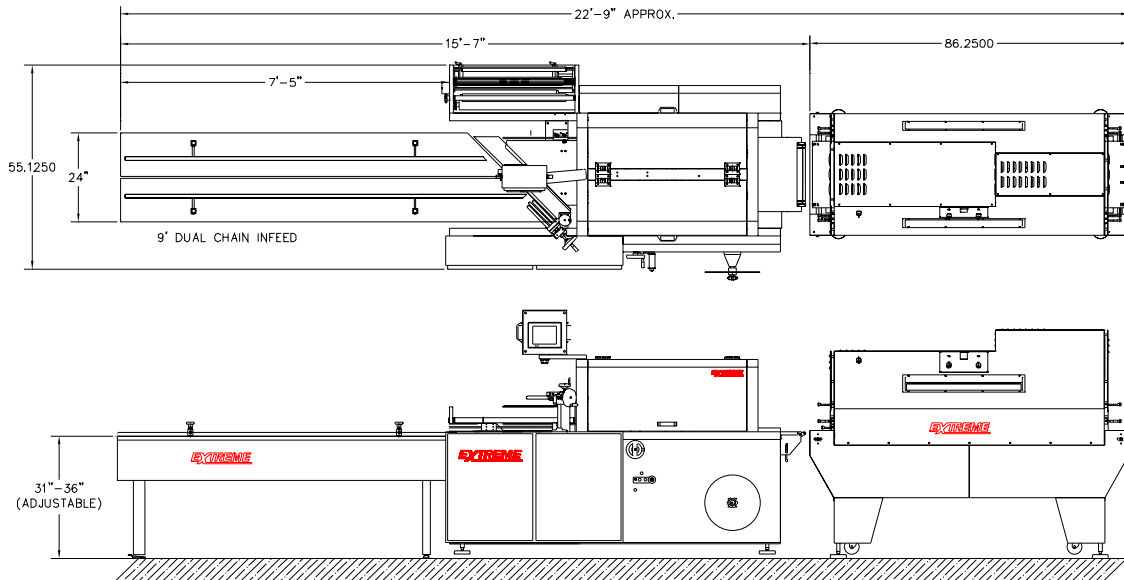


EXTREME



CONFIDENTIAL:

THIS DRAWING IS THE PROPERTY OF EXTREME PACKAGING MACHINERY, INC. ANY DUPLICATION OF THIS MATERIAL, UNLESS AUTHORIZED IN WRITING IS SUBJECT TO PROSECUTION.

DATE:	10/21/06	SCALE:	
DRAWN BY:	RAY UTTARO	APPROVED BY:	
DESCRIPTION:	AL18-DC-XT WRAPPER WITH 9" DC INFEED W/ TUNNEL		

EXTREME PACKAGING MACHINERY, INC.

22831 AVENIDA EMPRESA
SAN JOSE BAY, MARGARITA, CA 95068
P/O (415)888-7221, FAX: (415)888-7112