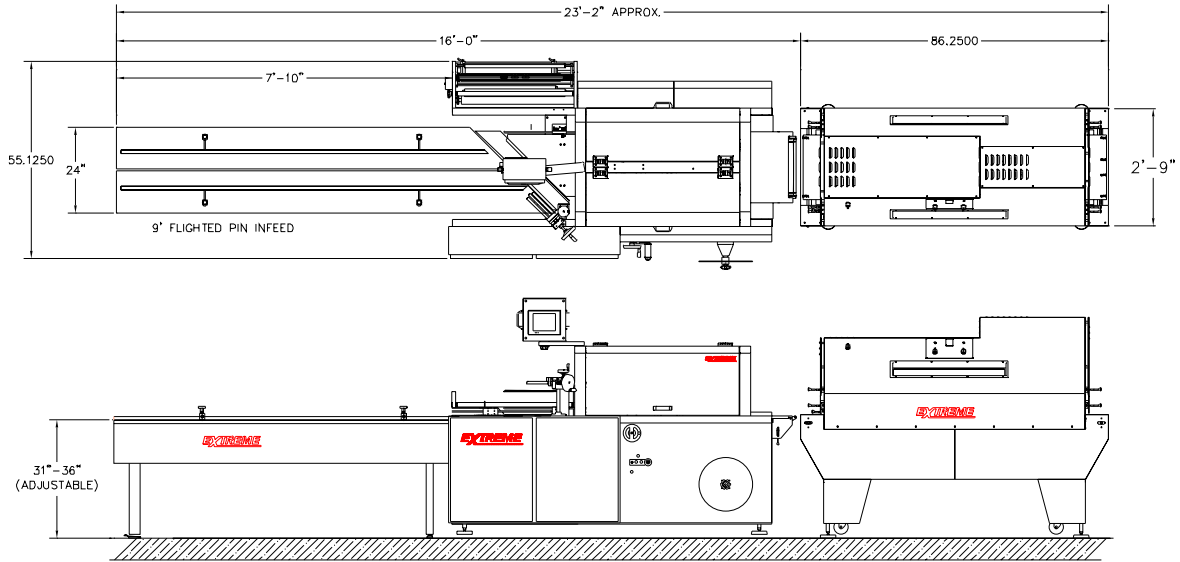


EXTREME



CONFIDENTIAL:

THIS DRAWING IS THE PROPERTY OF EXTREME PACKAGING MACHINERY, INC. ANY DUPLICATION OF THIS MATERIAL UNLESS AUTHORIZED IN WRITING IS SUBJECT TO PROSECUTION

DATE: 10/21/06	SCALE:
DRAWN BY: RAY UTTARO	APPROVED BY:
DESCRIPTION: AL18-F-XT	
WRAPPER WITH 9' F-INFEED W/ TUNNEL	

EXTREME PACKAGING MACHINERY, INC.
22831 AVENIDA EMPRESAS
RANCHO SANTA MARGARITA, CA 92088
PH: (949)398-7222, FAX: (949)398-7112