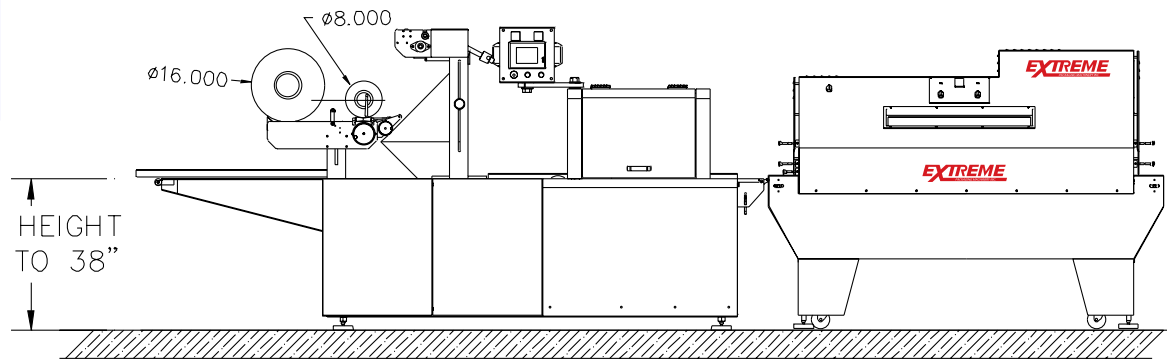
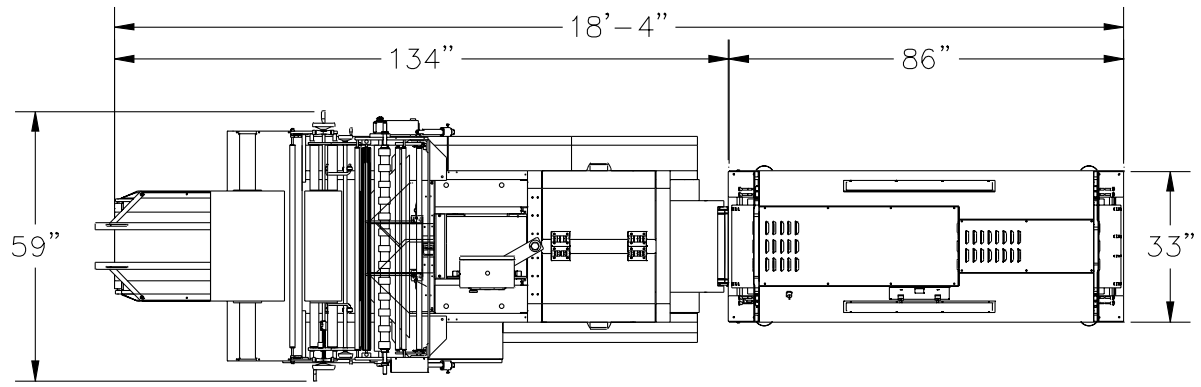


EXTREME



LINE HEIGHT
33" TO 38"

SHOWN WITH DUAL ROLL CRADLE

AL18-LS-B AND XT18

CONFIDENTIAL:

THIS DRAWING IS THE PROPERTY OF EXTREME PACKAGING MACHINERY, INC. ANY DUPLICATION OF THIS MATERIAL UNLESS AUTHORIZED IN WRITING IS SUBJECT TO PROSECUTION

| | | | |
|--------------|--------------------|--------------|--|
| DATE: | 4/18/07 | SCALE: | |
| DRAWN BY: | RAY UTTARO | APPROVED BY: | |
| DESCRIPTION: | AL18LS-B WITH XT18 | | |