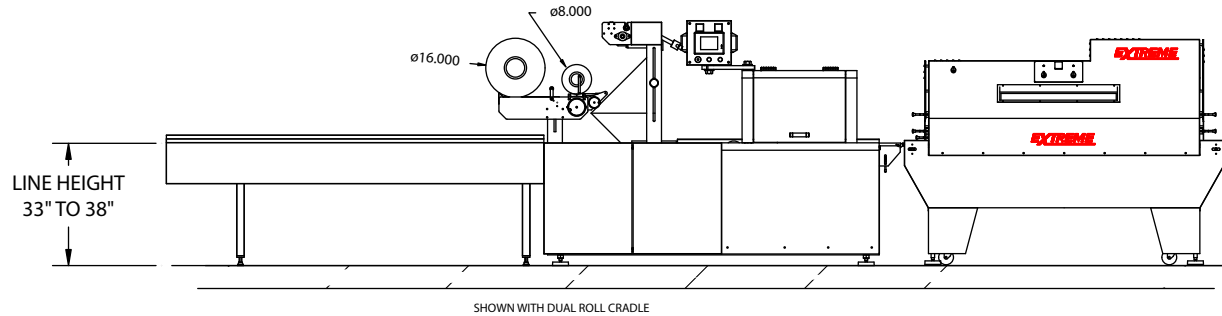
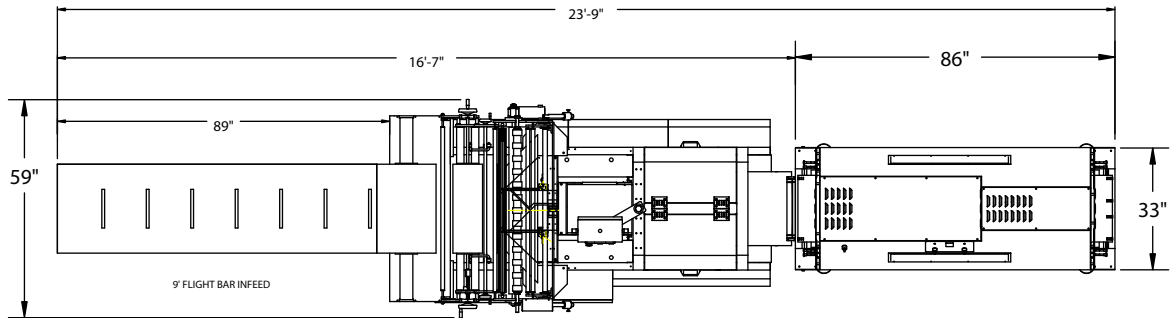


EXTREME



CONFIDENTIAL:

THIS DRAWING IS THE PROPERTY OF EXTREME PACKAGING MACHINERY, INC. ANY DUPLICATION OF THIS MATERIAL UNLESS AUTHORIZED IN WRITING IS SUBJECT TO PROSECUTION

DATE:	4/18/07	SCALE:	
DRAWN BY:	RAY UTTARO	APPROVED BY:	
DESCRIPTION:	AL18LS-FB WITH XT18		