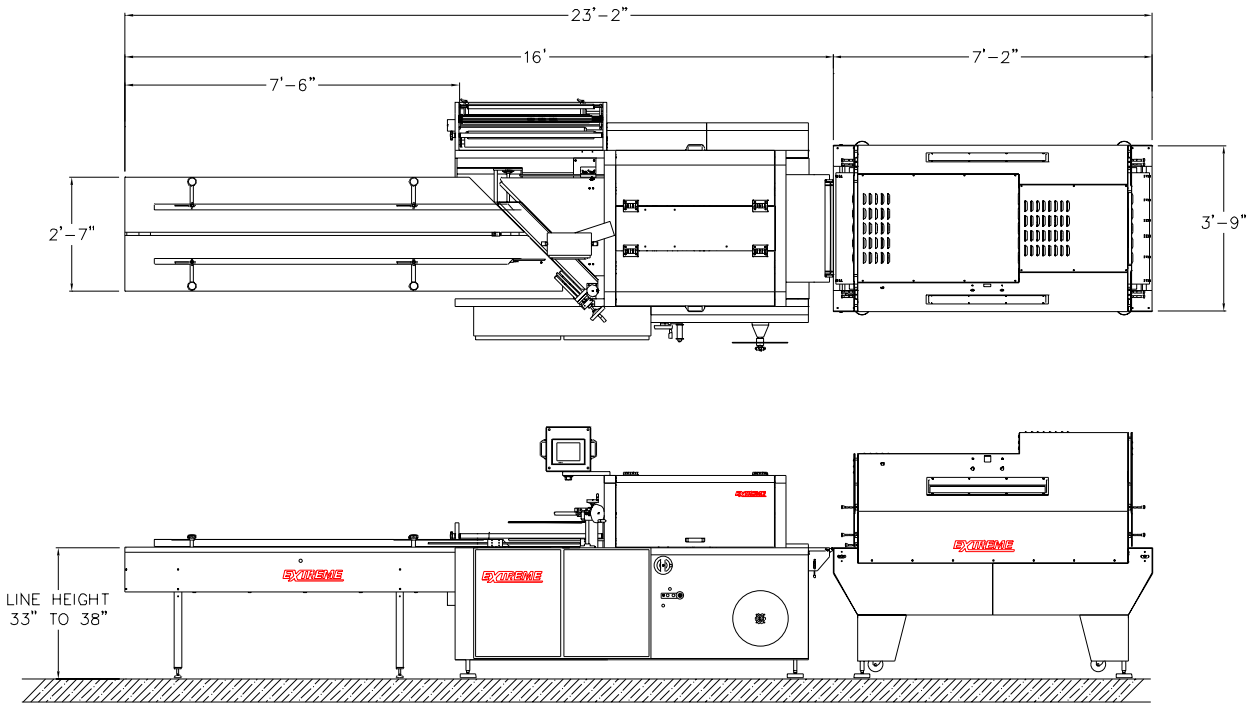


EXTREME



CONFIDENTIAL:

THIS DRAWING IS THE PROPERTY OF EXTREME PACKAGING
MACHINERY, INC. ANY DUPLICATION OF THIS MATERIAL
UNLESS AUTHORIZED IN WRITING IS SUBJECT TO PROSECUTION

DATE: 10/21/06	SCALE:
DRAWN BY: RAY UTTARO	APPROVED BY:
DESCRIPTION: AL24-DC & XT30	

EXTREME PACKAGING MACHINERY, INC.
22831 AVENIDA EMPRESERA
SAN CARLOS SANTA MARGARITA, CA 90388
PH: (949)888-7221, FAX: (949)888-7112