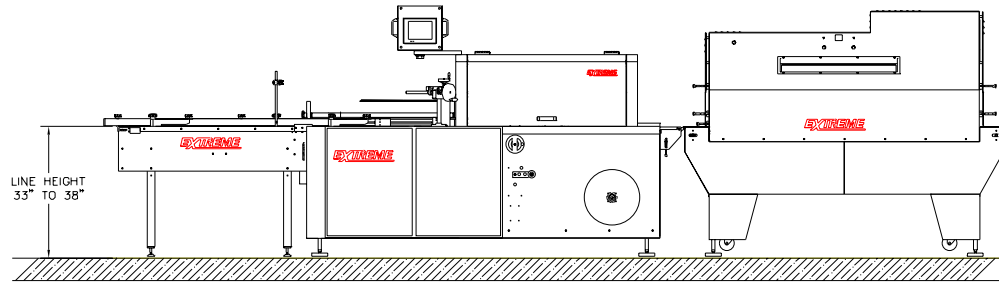
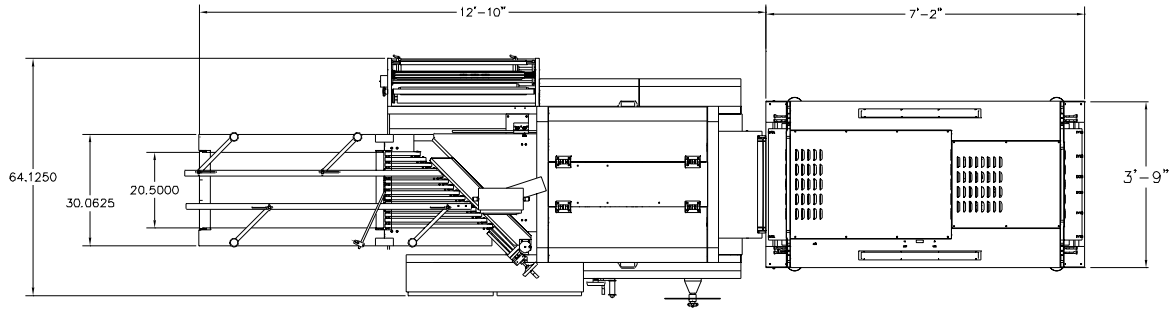


EXTREME



CONFIDENTIAL:

THIS DRAWING IS THE PROPERTY OF EXTREME PACKAGING
MACHINERY, INC. ANY DUPLICATION OF THIS MATERIAL,
UNLESS AUTHORIZED IN WRITING IS SUBJECT TO PROSECUTION

DATE	10/21/06	SCALE	
DRAWN BY	RAY UTTARO	APPROVED BY	
DESCRIPTION:	AL24B & XT30		

EXTREME PACKAGING MACHINERY, INC.
22831 AVENIDA EMPRESERA
SANCTO SANTA MARGARETA, CA 90388
PH: (949)886-7221, FAX: (949)886-7112