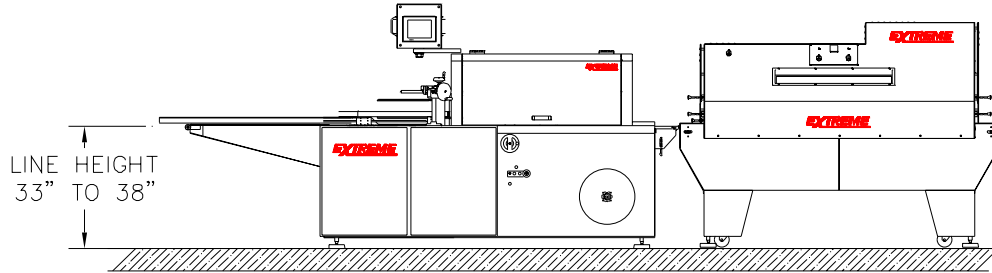
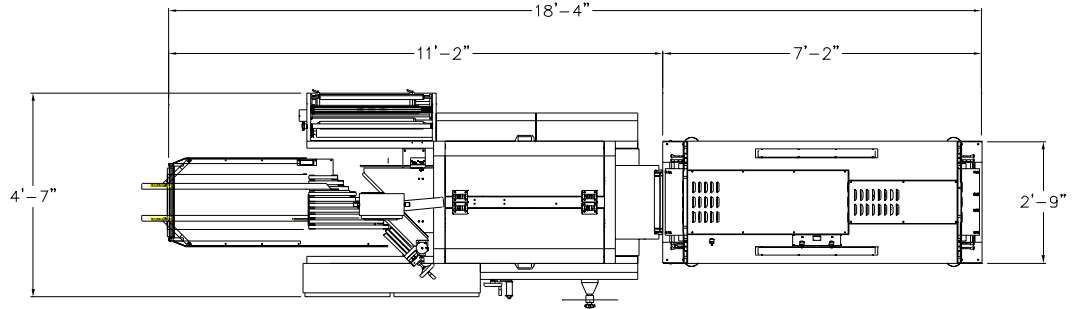


EXTREME



CONFIDENTIAL:

THIS DRAWING IS THE PROPERTY OF EXTREME PACKAGING MACHINERY, INC. ANY DUPLICATION OF THIS MATERIAL, UNLESS AUTHORIZED IN WRITING IS SUBJECT TO PROSECUTION

DATE:	10/21/06	SCALE:	
DRAWN BY:	RAY UTTARO	APPROVED BY:	
DESCRIPTION:	S18-B WITH XT18		

EXTREME PACKAGING MACHINERY, INC.

22831 AVENIDA EMPRESAS
SAN JOSE SOUTH MARGARITA, CA 95068
TEL: (415)888-7221, FAX: (415)888-7112