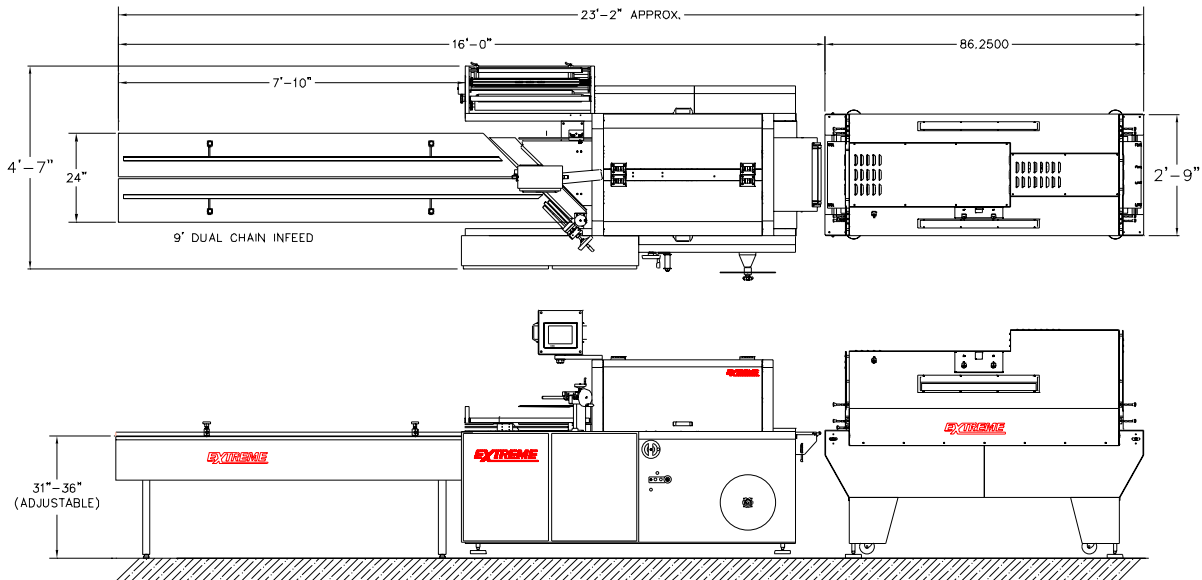


EXTREME



CONFIDENTIAL:

THIS DRAWING IS THE PROPERTY OF EXTREME PACKAGING
MACHINERY, INC. ANY DUPLICATION OF THIS MATERIAL
UNLESS AUTHORIZED IN WRITING IS SUBJECT TO PROSECUTION

DATE:	10/21/06	SCALE:	
DRAWN BY:	RAY UTTARO	APPROVED BY:	
DESCRIPTION:	S18-DC-XT WRAPPER WITH 9' DC INFEED W/ TUNNEL		

EXTREME PACKAGING MACHINERY, INC.

20801 AVENIDA EMPRESAS
BUNICO SANTA MARGARITA, CA 95068
PH: (949)885-7221, FAX: (949)885-7112