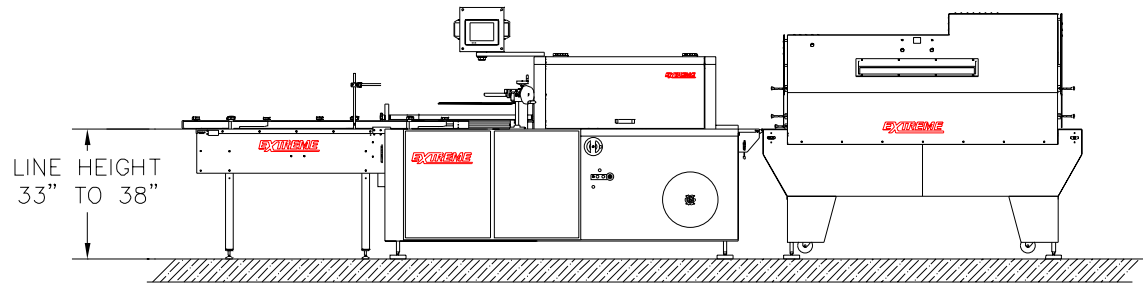
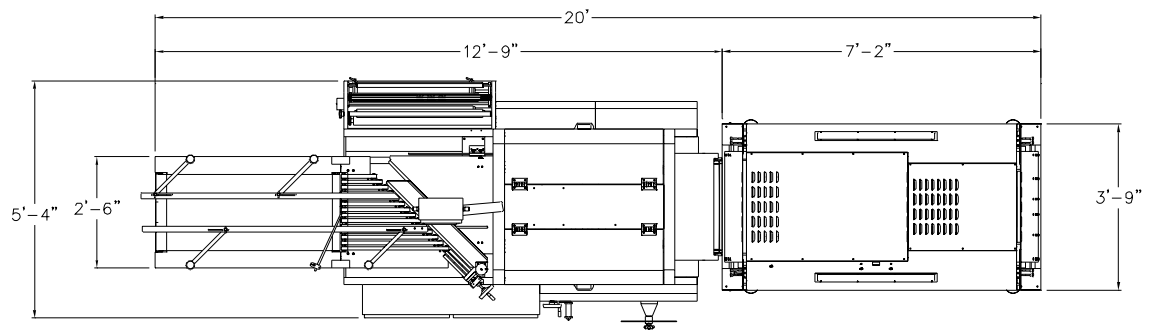


EXTREME



CONFIDENTIAL:

THIS DRAWING IS THE PROPERTY OF EXTREME PACKAGING MACHINERY, INC. ANY DUPLICATION OF THIS MATERIAL, UNLESS AUTHORIZED IN WRITING IS SUBJECT TO PROSECUTION.

DATE:	10/21/06	SCALE:	
DRAWN BY:	RAY UTTARO	APPROVED BY:	
DESCRIPTION:	S24-B WITH XT30		

EXTREME PACKAGING MACHINERY, INC.
22231 AVENIDA EMPRESA
SANCTO SPIRITUS, CA 94068
TEL: (415)888-7221, FAX: (415)888-7112