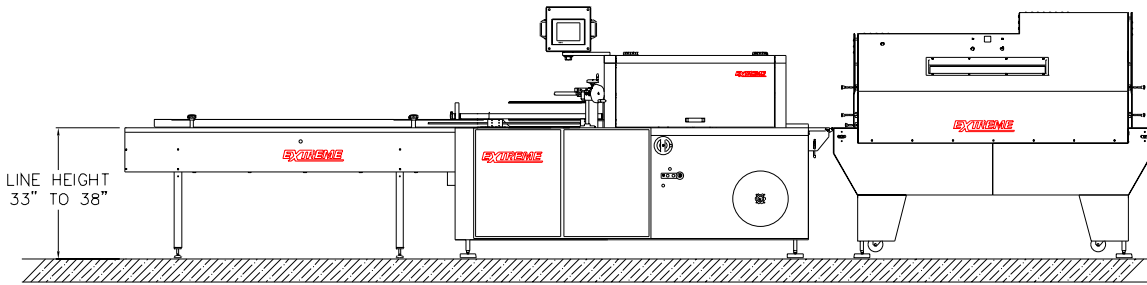
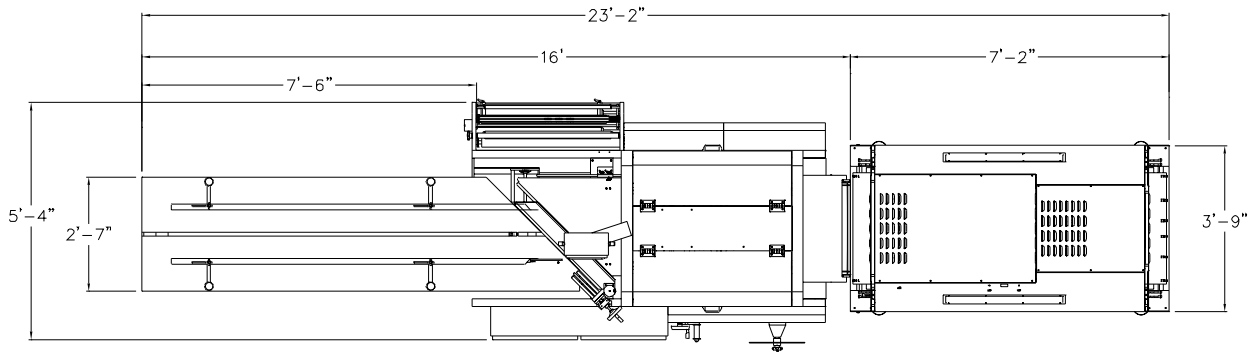


EXTREME



CONFIDENTIAL:

THIS DRAWING IS THE PROPERTY OF EXTREME PACKAGING MACHINERY, INC. ANY DUPLICATION OF THIS MATERIAL, UNLESS AUTHORIZED IN WRITING IS SUBJECT TO PROSECUTION.

DATE: 10/21/06
DRAWN BY: RAY UTTARO
DESCRIPTION: S24-DC & XT30

SCALE:
APPROVED BY:

EXTREME PACKAGING MACHINERY, INC.
28891 AVENIDA EMPRESA
SANCTO SPIRITUS, MARIETTA, CA 90088
PH: (949)888-7221, FAX: (949)888-7112