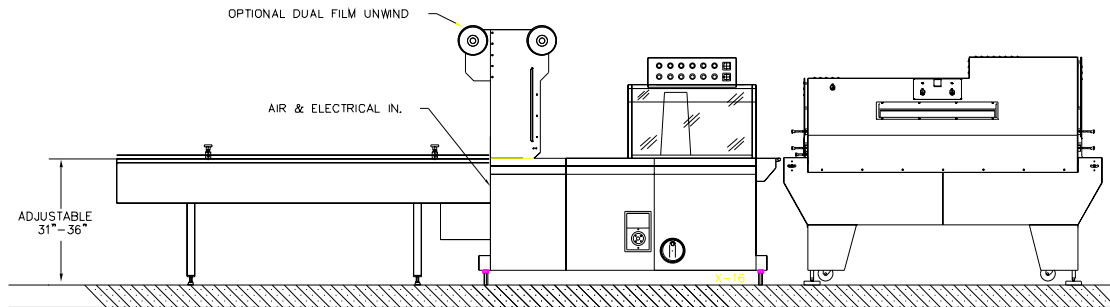
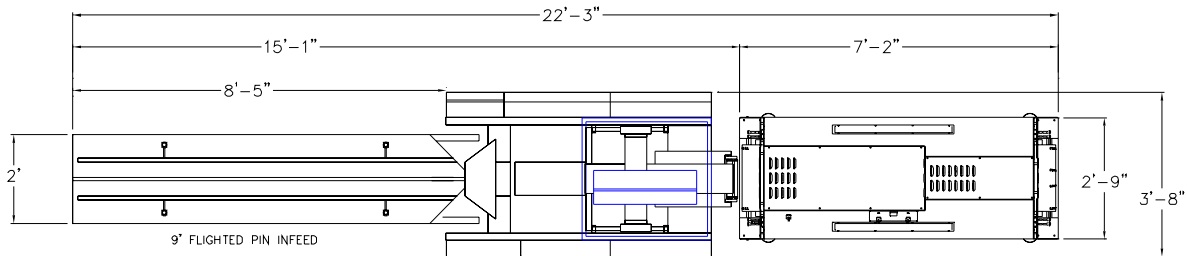


EXTREME



CONFIDENTIAL:

THIS DRAWING IS THE PROPERTY OF EXTREME PACKAGING MACHINERY, INC. ANY DUPLICATION OF THIS MATERIAL UNLESS AUTHORIZED IN WRITING IS SUBJECT TO PROSECUTION

DATE: 10/21/06	SCALE:
DRAWN BY: RAY UTTARO	APPROVED BY:
MODEL/PPID: X16-F-X18	

EXTREME PACKAGING MACHINERY, INC.

22831 AVENIDA EMPRESAS
SANCTI SPIRITUS, OH 43086
PH: (614)868-7221, FAX: (614)868-7112