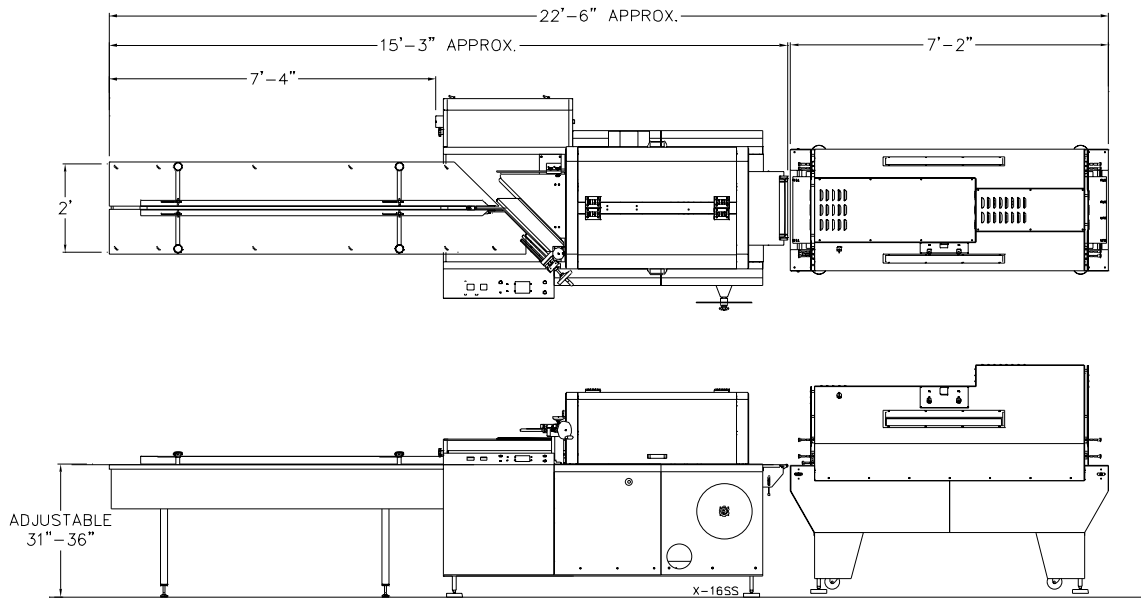


EXTREME



CONFIDENTIAL:

THIS DRAWING IS THE PROPERTY OF EXTREME PACKAGING
MACHINERY, INC. ANY DUPLICATION OF THIS MATERIAL
UNLESS AUTHORIZED IN WRITING IS SUBJECT TO PROSECUTION

DATE: 10/21/06	SCALE:
DRAWN BY: RAY UTTARO	APPROVED BY:
DESCRIPTION: X16SS -DC WITH XT18	

EXTREME PACKAGING MACHINERY, INC.

22831 AVENIDA EMPERISA
SAN JOSE SANTA MARGARITA, CA 95068
PH: (949)888-7221, FAX: (949)888-7112