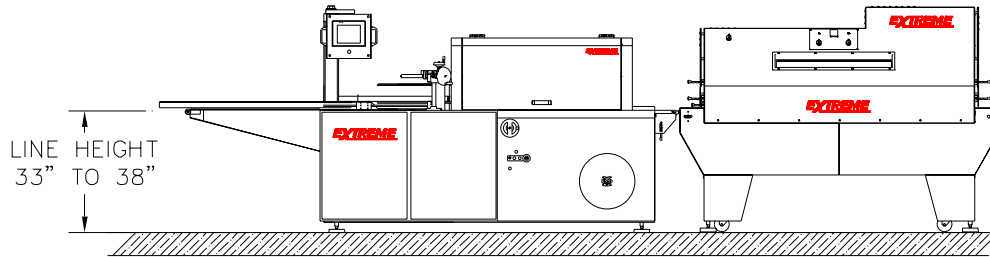
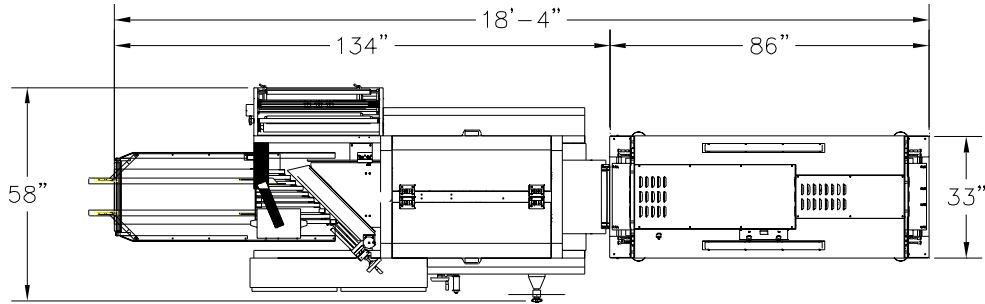


**EXTREME**



**CONFIDENTIAL:**

THIS DRAWING IS THE PROPERTY OF EXTREME PACKAGING MACHINERY, INC. ANY DUPLICATION OF THIS MATERIAL UNLESS AUTHORIZED IN WRITING IS SUBJECT TO PROSECUTION.

DATE:	10/21/06	SCALE:	
DRAWN BY:	RAY UTTARO	APPROVED BY:	
DESCRIPTION:	XS18-B WITH XT18		

**EXTREME PACKAGING MACHINERY, INC.**  
222831 AVENIDA EMPRESAS A  
RANCHO SANTA MARGARITA, CA 90408  
TEL: (949)886-7252, FAX: (949)886-7182