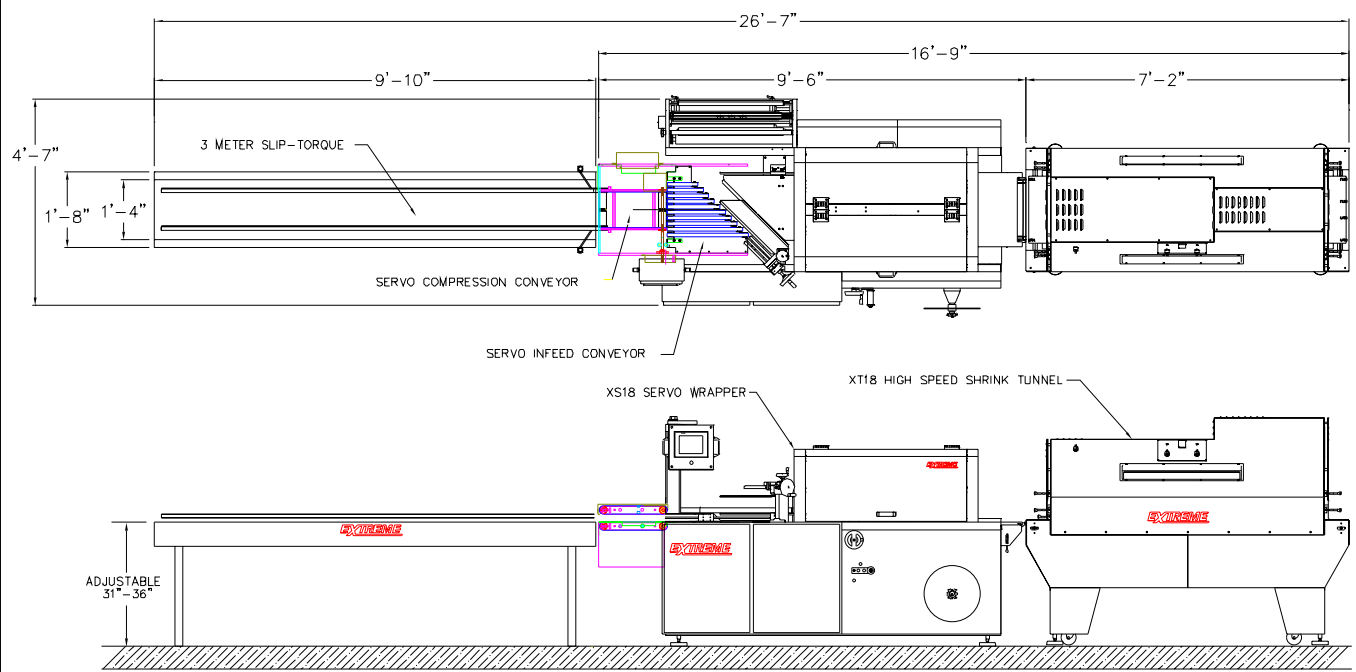


EXTREME



CONFIDENTIAL

THIS DRAWING IS THE PROPERTY OF EXTREME PACKAGING MACHINERY, INC. ANY DUPLICATION OF THIS MATERIAL UNLESS AUTHORIZED IN WRITING IS SUBJECT TO PROSECUTION

DATE	10/21/06	RE: /
DRAWN BY	RAY UTTARO	APPROVED BY
DESCRIPTION	XS18-CBB & XT18	

EXTREME PACKAGING MACHINERY, INC.
 22831 AVENIDA EMPRESA
 RANCHO SANTA MARGARITA, CA 92688
 PH: (949) 888-7221, FAX: (949) 888-7112