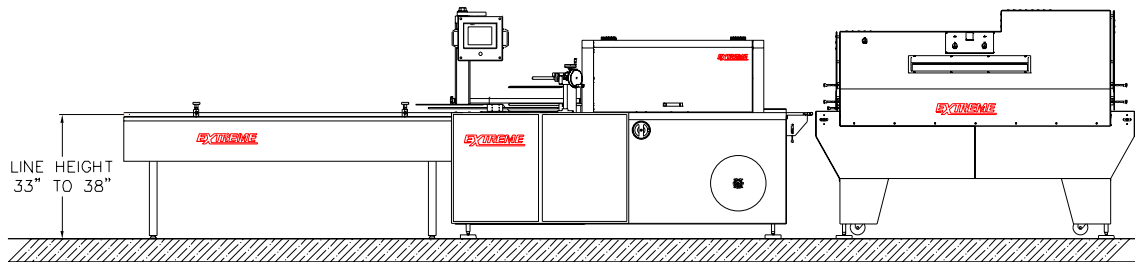
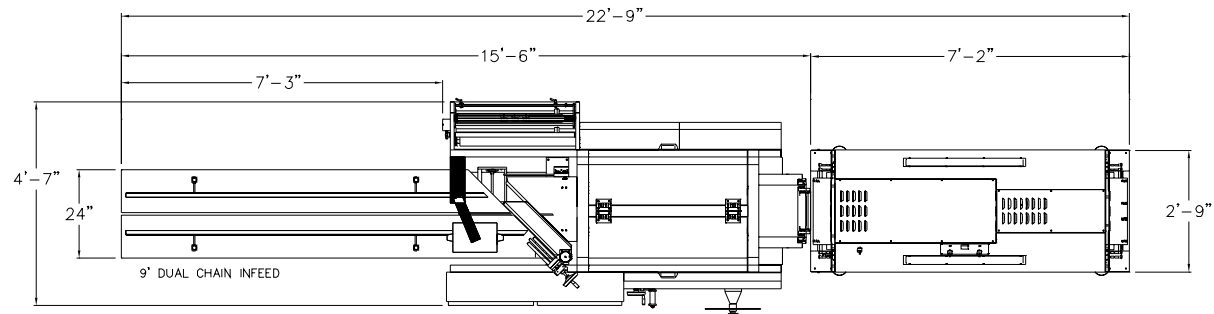


EXTREME



CONFIDENTIAL:

THIS DRAWING IS THE PROPERTY OF EXTREME PACKAGING
MACHINERY, INC. ANY DUPLICATION OF THIS MATERIAL
UNLESS AUTHORIZED IN WRITING IS SUBJECT TO PROSECUTION

DATE	10/21/06	SCALE	
DRAWN BY	RAY UTTARO	APPROVED BY	
DESCRIPTION	X518-DC-XT18		

EXTREME PACKAGING MACHINERY, INC.

228531 AVENIDA EMPRESAS
SAN JOSE SANTA MARGARITA, CA 95088
P.O. (949)888-7221, FAX (949)888-7112