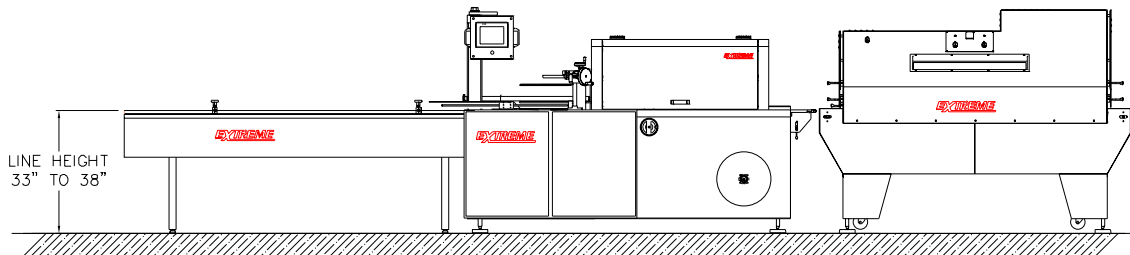
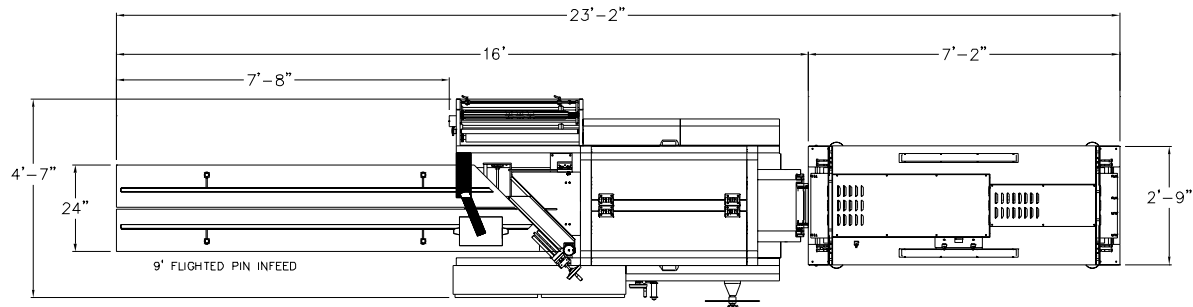


EXTREME



CONFIDENTIAL:

THIS DRAWING IS THE PROPERTY OF EXTREME PACKAGING MACHINERY, INC. ANY DUPLICATION OF THIS MATERIAL UNLESS AUTHORIZED IN WRITING IS SUBJECT TO PROSECUTION

DATE:	10/21/06	SCALE:	
DRAWN BY:	RAY UTTARO	APPROVED BY:	
DESCRIPTION:	XS18-F-XT18		

EXTREME PACKAGING MACHINERY, INC.
22831 AVENIDA EMPRESA
RANCHO SANTA MARGARITA, CA 90888
PH: (949)888-7221, FAX: (949)888-7112