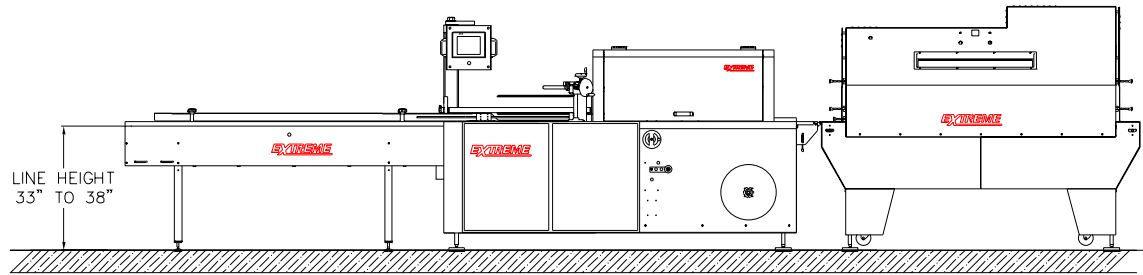
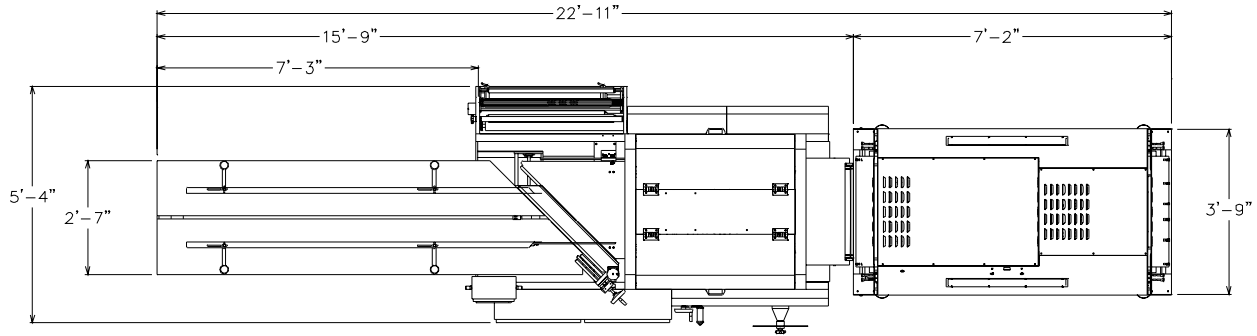


**EXTREME**



**CONFIDENTIAL:**

THIS DRAWING IS THE PROPERTY OF EXTREME PACKAGING MACHINERY, INC. ANY DUPLICATION OF THIS MATERIAL, UNLESS AUTHORIZED IN WRITING IS SUBJECT TO PROSECUTION

DATE: 10/21/06	SCALE:
DRAWN BY: RAY UTTARO	APPROVED BY:
MACHINE MODEL: XS24-DC & XT30	

EXTREME PACKAGING MACHINERY, INC.  
22831 AVENIDA EMPREISA  
SANJOSE SANTA MARGARITA, CA 95088  
PH: (949)868-7221, FAX: (949)868-7112