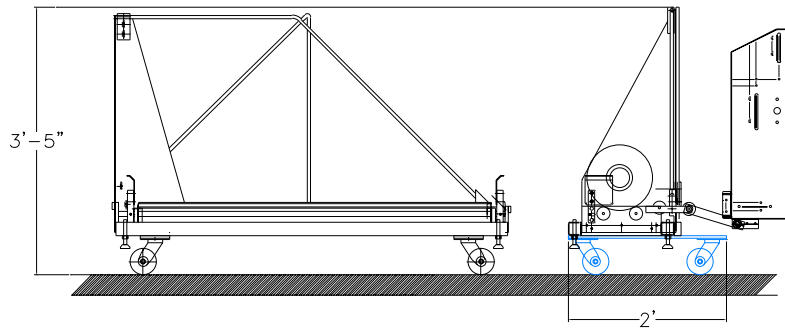
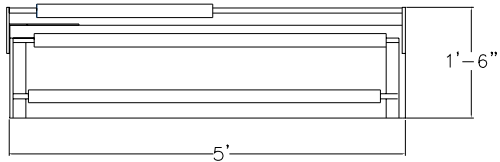


EXTREME



CONFIDENTIAL:

THIS DRAWING IS THE PROPERTY OF EXTREME PACKAGING MACHINERY, INC. ANY DUPLICATION OF THIS MATERIAL, UNLESS AUTHORIZED IN WRITING IS SUBJECT TO PROSECUTION

DATE: 10/21/06	SCALE:
DRAWN BY: RAY UTTARO	APPROVED BY:
DESCRIPTION: COMPACT CENTERFOLDER	

EXTREME PACKAGING MACHINERY, INC.

22831 AVENIDA EMPRISA
SANJOSE SILVEY MARGARITA, CA 95098
PH: (949)888-7221, FAX: (949)888-7112